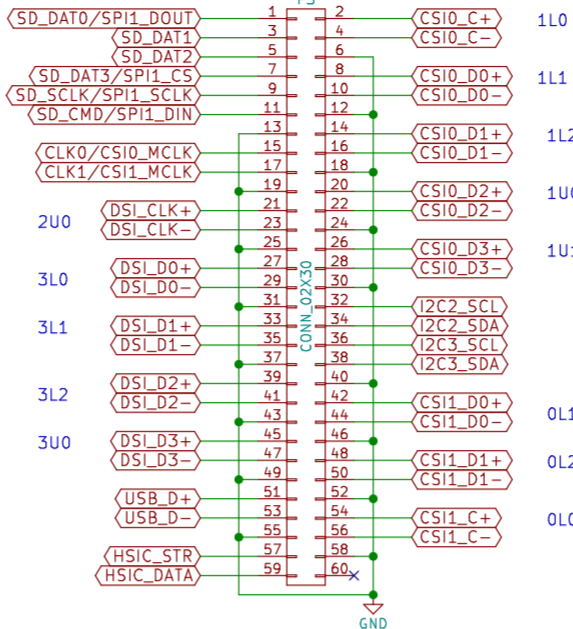
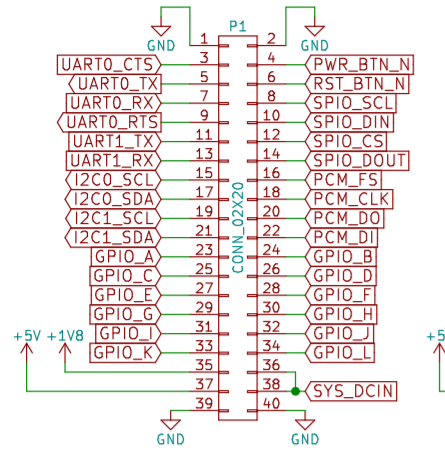


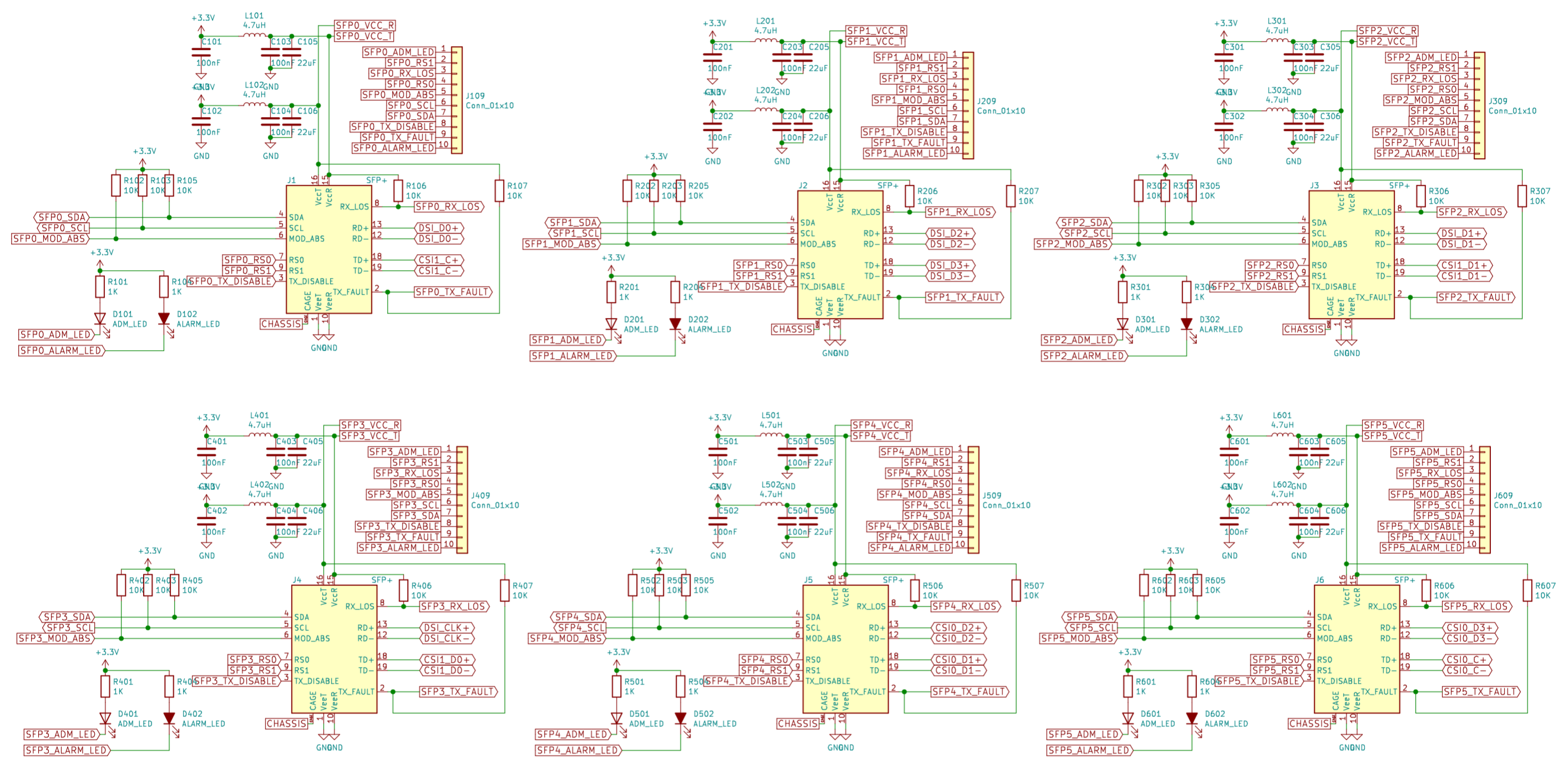
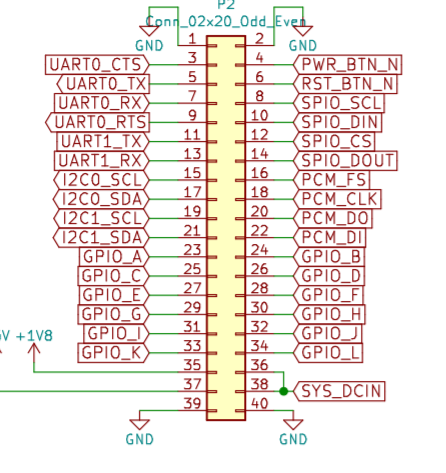
Ultra96 side - High speed



Bottom-side Pin Header



Extension-side Socket Header



Conn_02x30_066_Even

SFP0_ADM_LED	1	SFP0_RS1	2
SFP0_RX_LOS	3	SFP0_RS0	4
SFP0_MOD_ABS	5	SFP0_SCL	6
SFP0_SDA	7	SFP0_TX_DISABLE	8
SFP0_TX_FAULT	9	SFP0_ALARM_LED	10
SFP1_ADM_LED	11	SFP1_RS1	12
SFP1_RX_LOS	13	SFP1_RS0	14
SFP1_MOD_ABS	15	SFP1_SCL	16
SFP1_SDA	17	SFP1_TX_DISABLE	18
SFP1_TX_FAULT	19	SFP1_ALARM_LED	20
SFP2_ADM_LED	21	SFP2_RS1	22
SFP2_RX_LOS	23	SFP2_RS0	24
SFP2_MOD_ABS	25	SFP2_SCL	26
SFP2_SDA	27	SFP2_TX_DISABLE	28
SFP2_TX_FAULT	29	SFP2_ALARM_LED	30
SFP3_ADM_LED	31	SFP3_RS1	32
SFP3_RX_LOS	33	SFP3_RS0	34
SFP3_MOD_ABS	35	SFP3_SCL	36
SFP3_SDA	37	SFP3_TX_DISABLE	38
SFP3_TX_FAULT	39	SFP3_ALARM_LED	40
SFP4_ADM_LED	41	SFP4_RS1	42
SFP4_RX_LOS	43	SFP4_RS0	44
SFP4_MOD_ABS	45	SFP4_SCL	46
SFP4_SDA	47	SFP4_TX_DISABLE	48
SFP4_TX_FAULT	49	SFP4_ALARM_LED	50
SFP5_ADM_LED	51	SFP5_RS1	52
SFP5_RX_LOS	53	SFP5_RS0	54
SFP5_MOD_ABS	55	SFP5_SCL	56
SFP5_SDA	57	SFP5_TX_DISABLE	58
SFP5_TX_FAULT	59	SFP5_ALARM_LED	60

